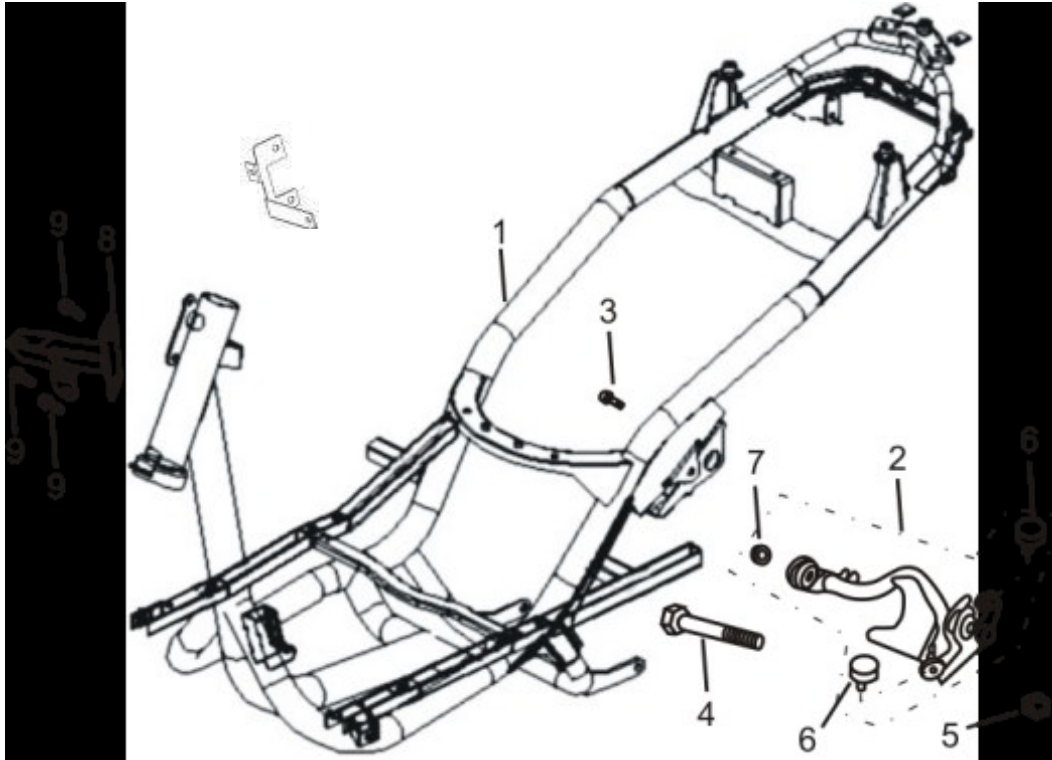


# CATALOGUE PIECES

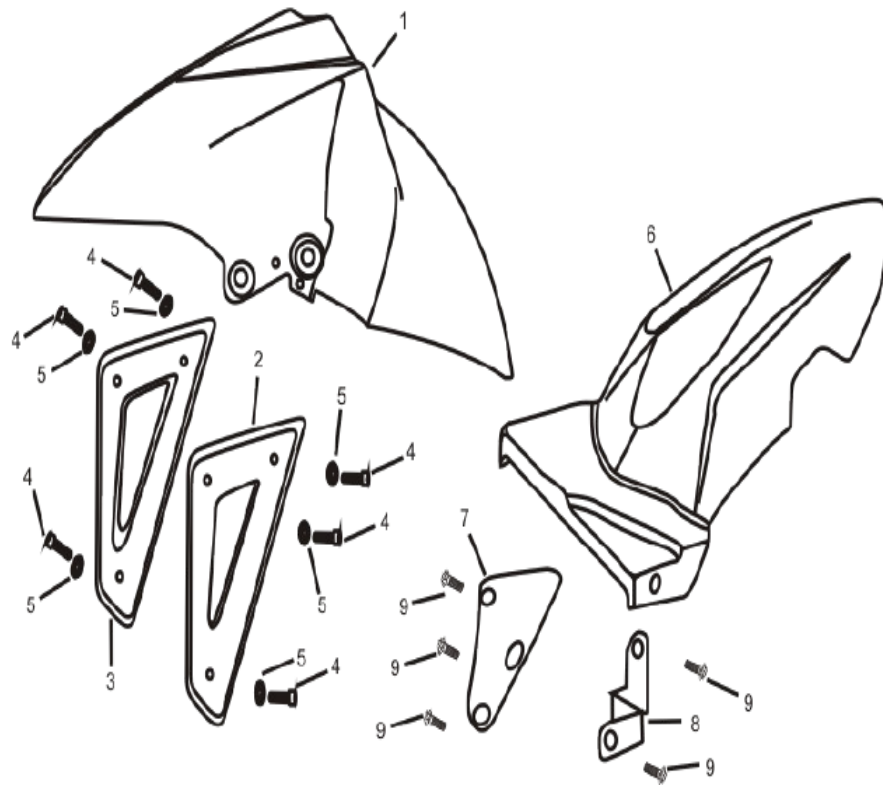
## BLADE 125CC

### FRAME BODY



N O	REFERENCE	DESCRIPTION	PRIX
1	BL-0101	FRAME BODY	450
2	BL-0102	FRAME BODY EFI	60
3	BL-0103	HANGER OF ENGINE	
4	BL-0104	FLANGE BOLT M10×1.25×50	
5	BL-0105	FLANGE BOLT M10×1.25×235	
6	BL-0106	LOCKNUT M10*1.25	
7	BL-0107	CUSHION OF ENGINE HANGER	
8	BL-0108	BUSH,ENGINE HANGER	
9	BL-0109	BRACKET,COVER ASSY FR GRILL	
10	BL-0110	FLANGE BOLT M6*12	
11	BL-0111	ECU installing bracket EFI	
12	BL-0112	IGNITION COIL installing bracket EFI	

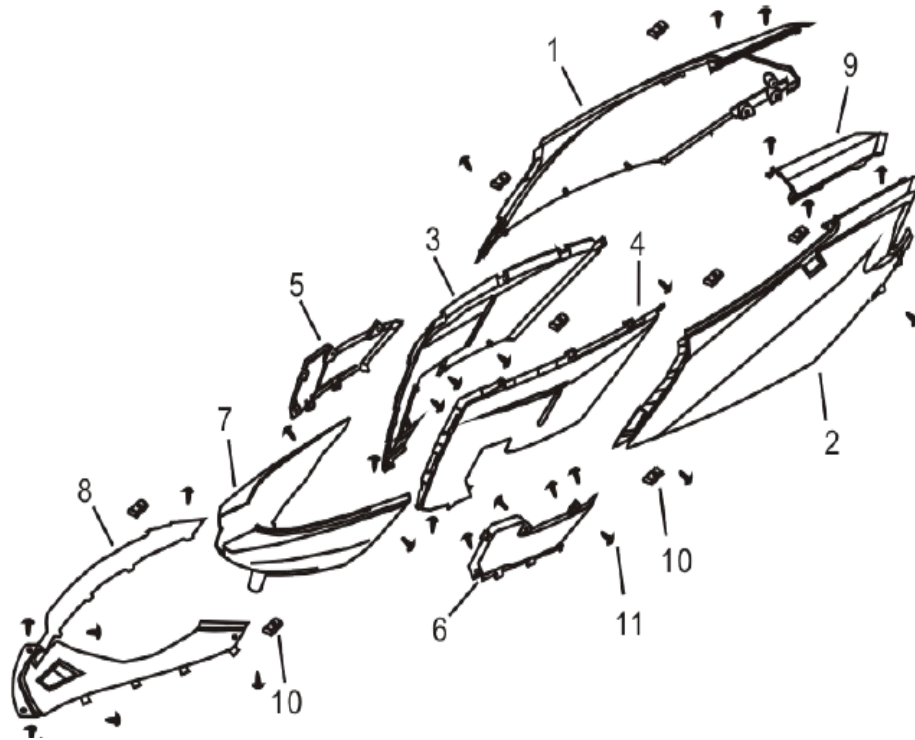
## FENDER



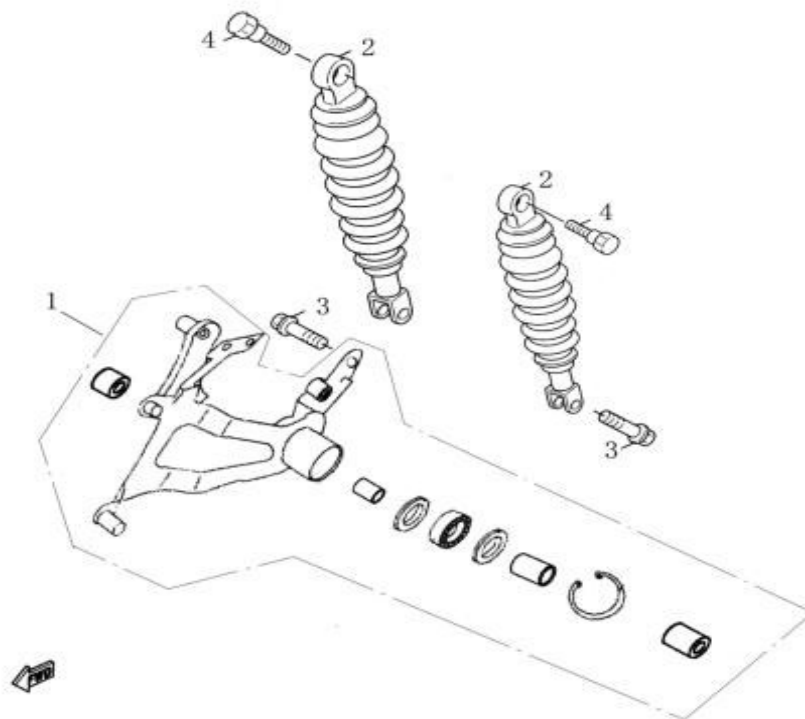
NO	REFERENCE	DESCRIPTION	PRIX
1	BL-0201	FRONT FENDER	45
2	BL-0202	LEFT BRACKET,FR.FENDER	25
3	BL-0203	RIGHT BRACKET,FR.FENDER	25
4	BL-0204	SOCKET HEAD SCREW M6*20	
5	BL-0205	WASHER	
6	BL-0206	FENDER RR TIRE	25
7	BL-0207	RIGHT BRACKET,FENDER RR TIRE	
8	BL-0208	LEFT BRACKET,FENDER RR TIRE	
9	BL-0209	STEP BOLT M6*14	

## SIDE PANEL

### SIDE PANEL

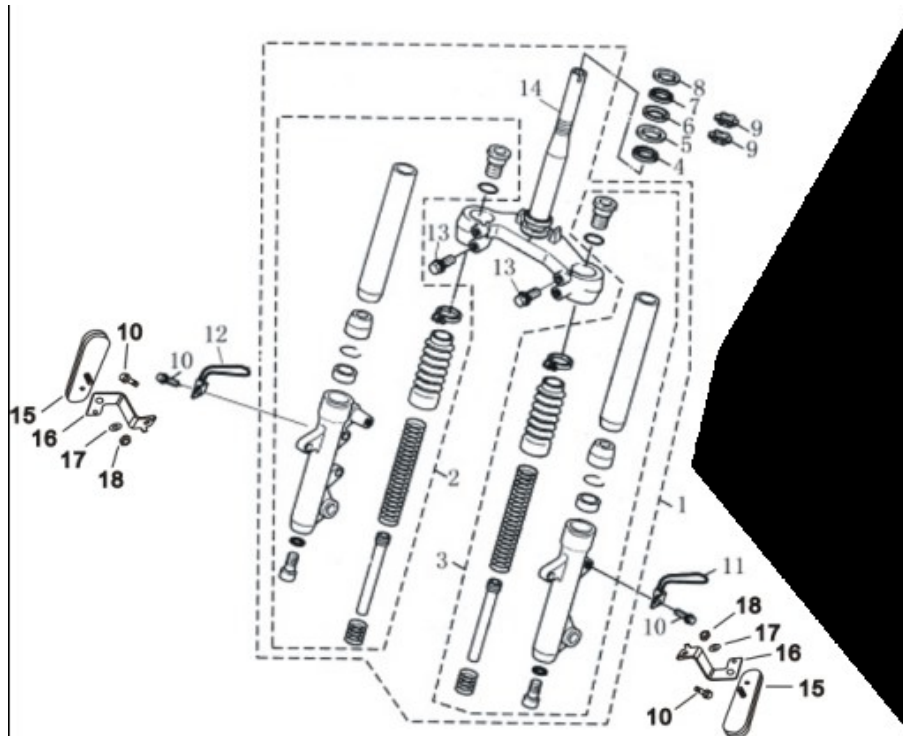


NO	REFERENCE	DESCRIPTION	PRI X
1	BL-0301	COVER R BODY	40
2	BL-0302	COVER L BODY	40
3	BL-0303	DECORATED BOARD A,COVER R BODY	25
4	BL-0304	DECORATED BOARD A,COVER L BODY	25
5	BL-0305	DECORATED BOARD B,COVER R BODY	25
6	BL-0306	DECORATED BOARD B,COVER L BODY	25
7	BL-0307	COVER CENTER B	25
8	BL-0308	COVER CENTER A	25
9	BL-0309	COVER RR CENTER	15
10	BL-0310	NUT SPRING 4MM	
11	BL-0311	TAPPING SCREW ST4.2*12	
12	BL-0312	TAPPING SCREW ST4.2*14	



NO	REFERENCE	DESCRIPTION	PRIX
1	BL-0101	RR.ARM COMP.	50
2	BL-0102	RR.SHOCK ABSORBER ASSY.	2 X 60
3	BL-0103	BOLT	
4	BL-0104	FLANGE BOLT M10×35	

## FRONT FORK

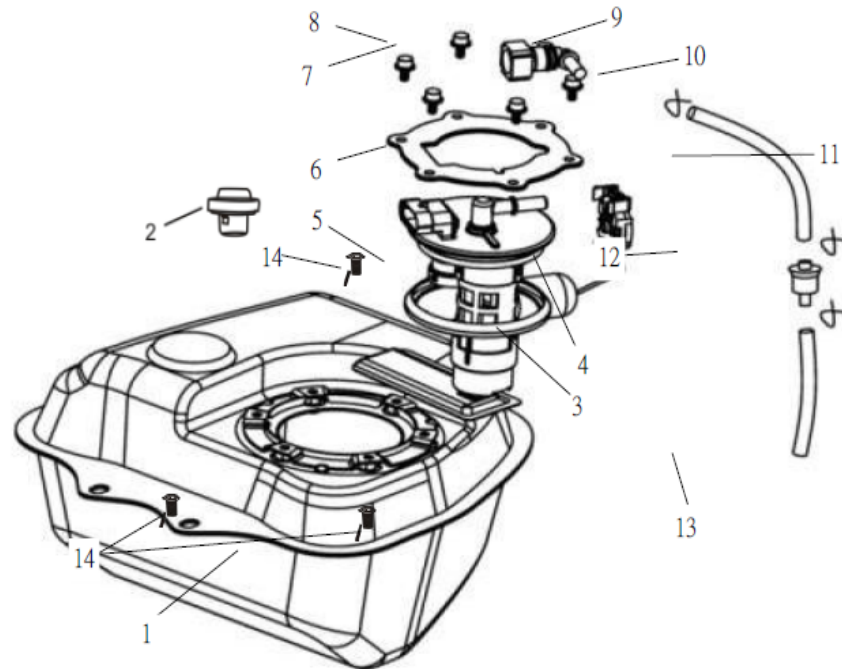


NO	REFERENCE	DESCRIPTION	PRI X
1	BL-0501	FR.FORK ASSY.	215
2	BL-0502	R.FR.FORK ASSY.	60
3	BL-0503	L.FR.FORK ASSY.	60
4	BL-0504	BALL ASSY.,LOWER	
5	BL-0505	BOWL 2	
6	BL-0506	BOWL 2	
7	BL-0507	BALL ASSY.,UPPER	
8	BL-0508	BOWL 1	
9	BL-0509	TOP NUT,STEERING STEM	
10	BL-0510	FLANGE BOLT M6*12	
11	BL-0511	CLAMP	
12	BL-0512	FUEL LINE CLIP,DISK BRAKE	
13	BL-0513	HEXAGONAL BOLT M8*40	
14	BL-0514	STEERING STEM	80
15	BL-0515	FRONT REFLECTOR	5
16	BL-0516	BRACKET,FRONT REFLECTOR	2 X15
17	BL-0517	WASHER	

18	BL-0518	NUT M6	
----	---------	--------	--

## FUEL TANK

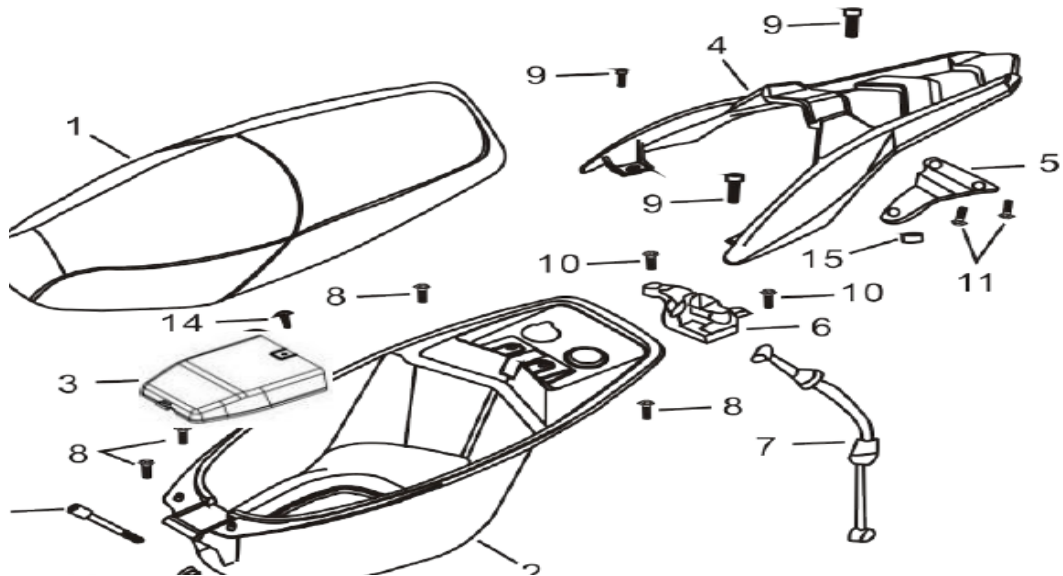
### FUEL TANK



NO	REFERENCE	DESCRIPTION	PRI X
1	BL-0601	FUEL TANK EFI	65
2	BL-0602	CAP,FUEL TANK EFI	
3	BL-0603	FUL PUMP EFI	45
4	BL-0604	FUEL SENSOR EFI	65
5	BL-0605	FUEL O-RING EFI	
6	BL-0606	FUEL PUMP pressing plate EFI	15
7	BL-0607	SCREW PAN EFI	
8	BL-0608	WASHER SPRING EFI	
9	BL-0609	OIL PIPE coupling EFI	25
10	BL-0610	CLAMP FUEL PIPE 8*12 EFI	
11	BL-0611	HIGH PRESSURE FUEL PIPE A L1=310MM EFI	
12	BL-0612	STRAINER ASSY FUEL EFI	15
13	BL-0613	HIGH PRESSURE FUEL PIPE B L2=380MM EFI	
14	BL-0614	FLANG BOLT M6*16 EFI	

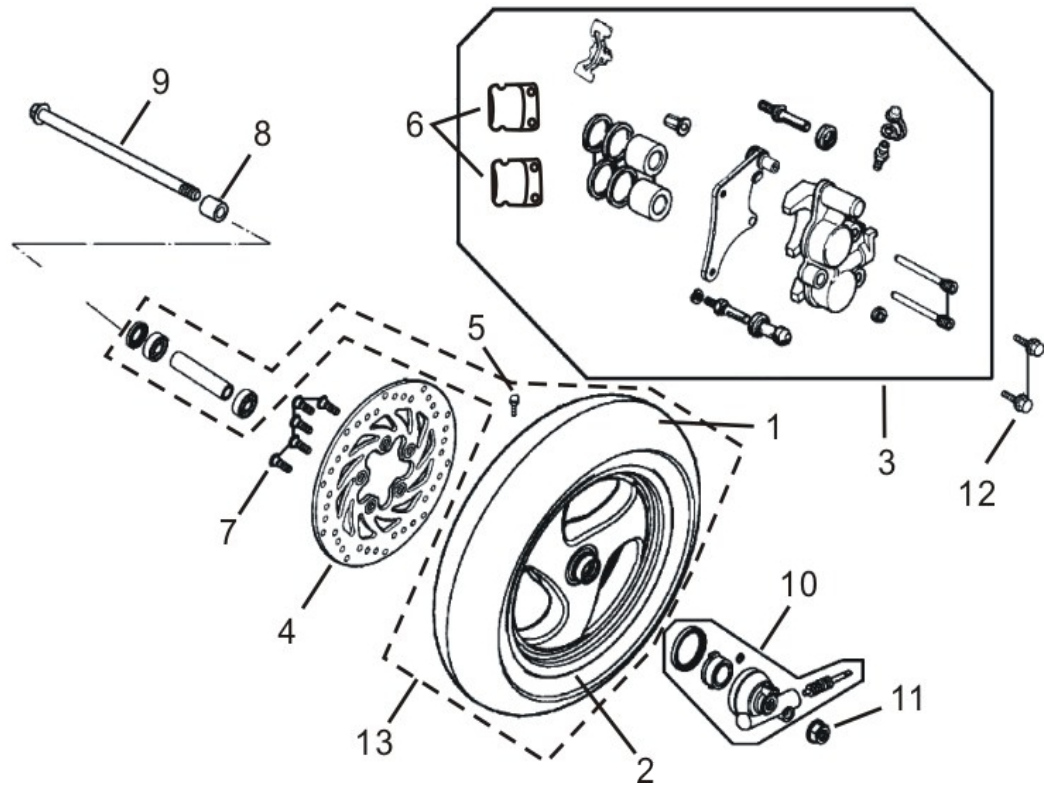
# SEAT ASSEMBLY

## AT ASSEMBLY



NO	REFERENCE	DESCRIPTION	PRI X
1	BL-0701	SEAT	65
2	BL-0702	LUGGAGE BOX ASSY	45
3	BL-0703	LUGGAGE BOX COVER	15
4	BL-0704	CARRIER ASSY RR	45
5	BL-0705	BRACKET,CARRIER ASSY	25
6	BL-0706	LOCK BASE OF SEAT	15
7	BL-0707	CABLE OF SEAT LOCK	
8	BL-0708	FLANG BOLT M6*14	
9	BL-0709	SOCKET HEAD SCREW M8*25	
10	BL-0710	FLANGE BOLT M6*12	
11	BL-0711	FLANGE BOLT M6*10	
12	BL-0712	SEAT PIN	
13	BL-0713	FLANGE NUT M8	
14	BL-0714	BOLT M8*14	
15	BL-0715	COLLAR,CARRIER ASSY	

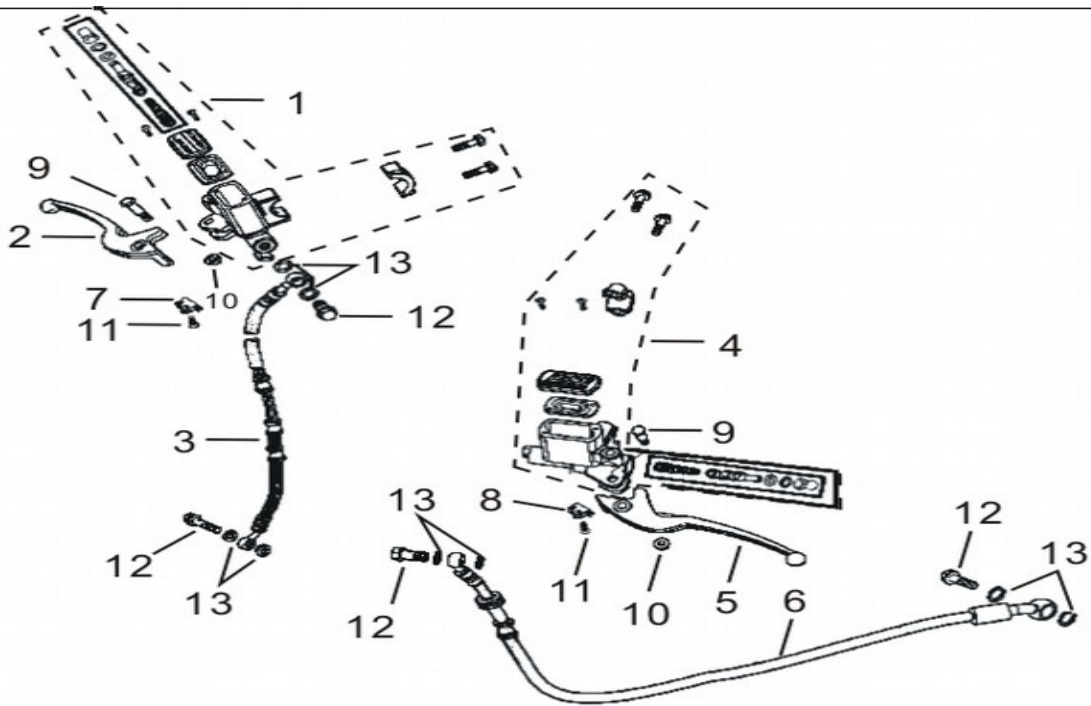
## FRONT WHEEL



NO	REFERENCE	DESCRIPTION	PRIX
1	BL-0801	FRONT TIRE	140
2	BL-0802	FRONT RIM	80
3	BL-0803	CALIPER ASSY FR EFI	
4	BL-0804	DISK FR BRAKE	25
5	BL-0805	VALVE RIM	
6	BL-0806	RR.BRAKE PAD EFI	
7	BL-0807	BOLT M8*24	
8	BL-0808	COLLAR RR AXLE	
9	BL-0809	AXLE FR WHEEL	
10	BL-0810	GEAR BOX ASSY FOR CALCULATE SPEED	25
11	BL-0811	FLANGE NUT M12	
12	BL-0812	FLANGE BOLT M8*32	
13	BL-0813	FRONT WHEEL	165



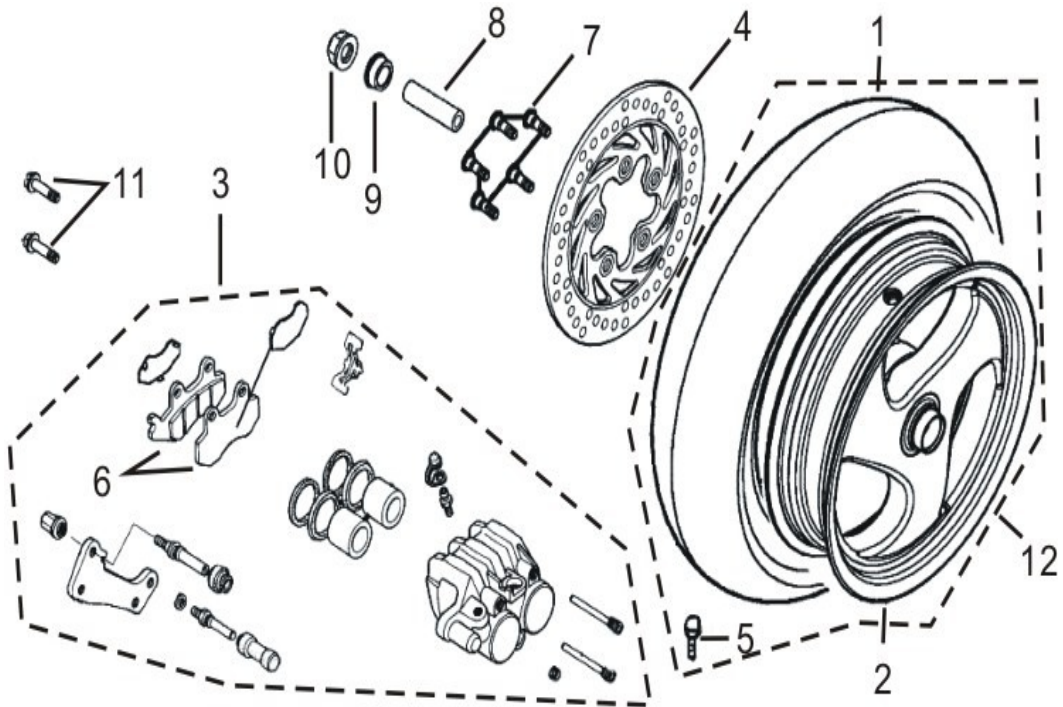
## BRAKE SYSTEM



NO	REFERENCE	DESCRIPTION	PRI X
1	BL-0901	CYLINDER SET FR MASTER EFI	45
2	BL-0902	LEVER R	15
3	BL-0903	HOSE ASSY FR BRAKE EFI	
4	BL-0904	CYLINDER SET RR MASTER	
5	BL-0905	LEVER L	15
6	BL-0906	HOSE ASSY RR BRAKE EFI	
7	BL-0907	SWITCH ASSY FR BRAKE	10
8	BL-0908	SWITCH ASSY RR BRAKE	10
9	BL-0909	BOLT HANDLE LEVER	
10	BL-0910	FLANGE NUT M6	
11	BL-0911	SCREW WASHER M4*12	
12	BL-0912	OIL BOLT M10*22	
13	BL-0913	WASHER,OIL BOLT	
14	BL-0914	FR BRAKE THREE PIPE EFI	
15	BL-0915	FR BRAKE UP OIL PIPE EFI	
16	BL-0916	FR BRAKE UNDER OIL PIPE EFI	

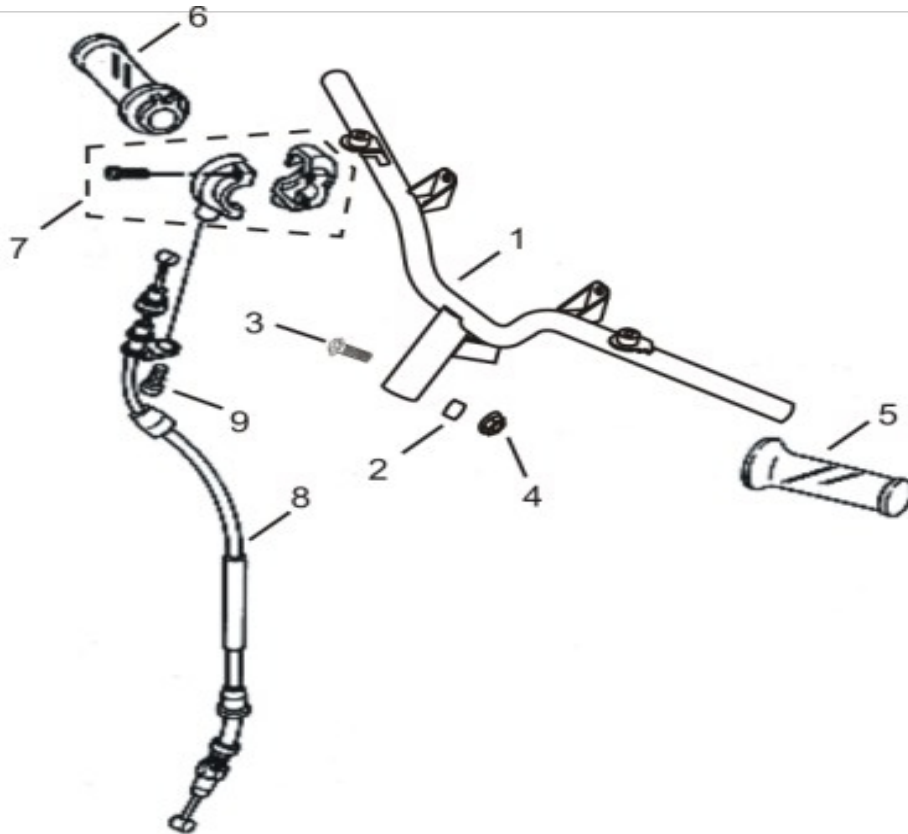
17	BL-0917	FLANG BOLT M6*30	
----	---------	------------------	--

## REAR WHEEL



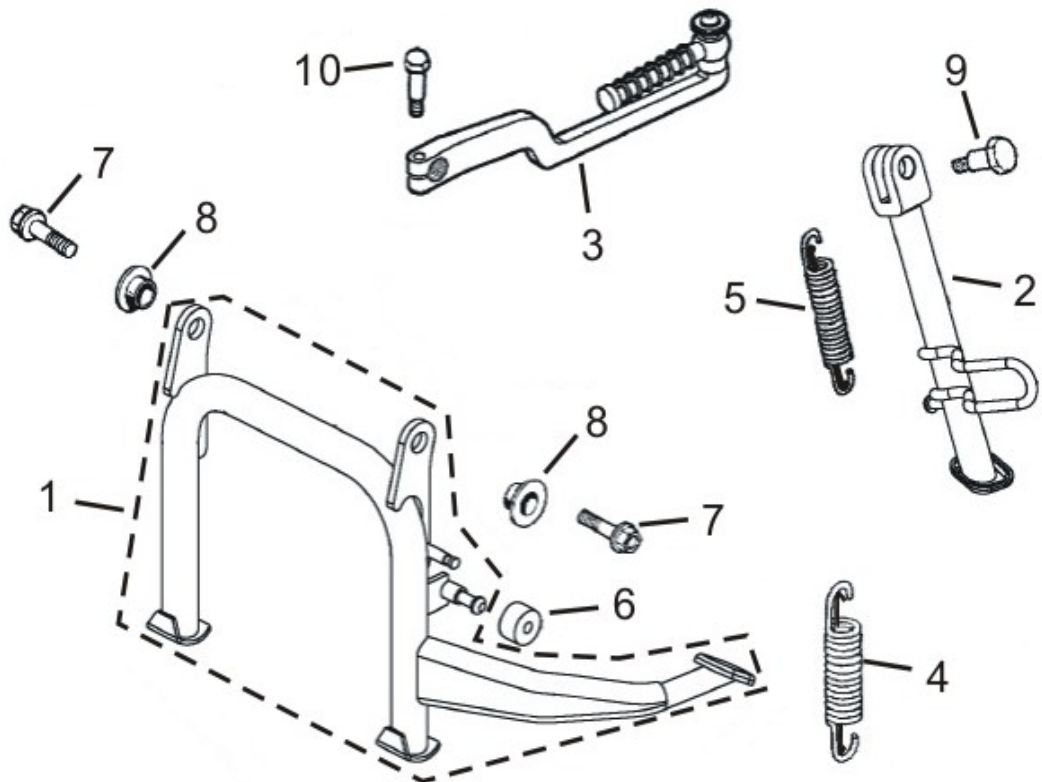
NO	REFERENCE	DESCRIPTION	PRIX
1	BL-1001	REAR TIRE	50
2	BL-1002	REAR RIM	90
3	BL-1003	CALIPER ASSY RR	
4	BL-1004	REAR BRAKE DISK	
5	BL-1005	VALVE RIM	5
6	BL-1006	RR.BRAKE PAD	30
7	BL-1007	BOLT M8*24	
8	BL-1008	COLLAR RR AXLE A	
9	BL-1009	COLLAR RR AXLE SIDE	
10	BL-1010	FLANGE NUT M16	
11	BL-1011	FLANGE BOLT M8*35	
12	BL-1012	REAR WHEEL ASSY	140

## HANDLE BAR



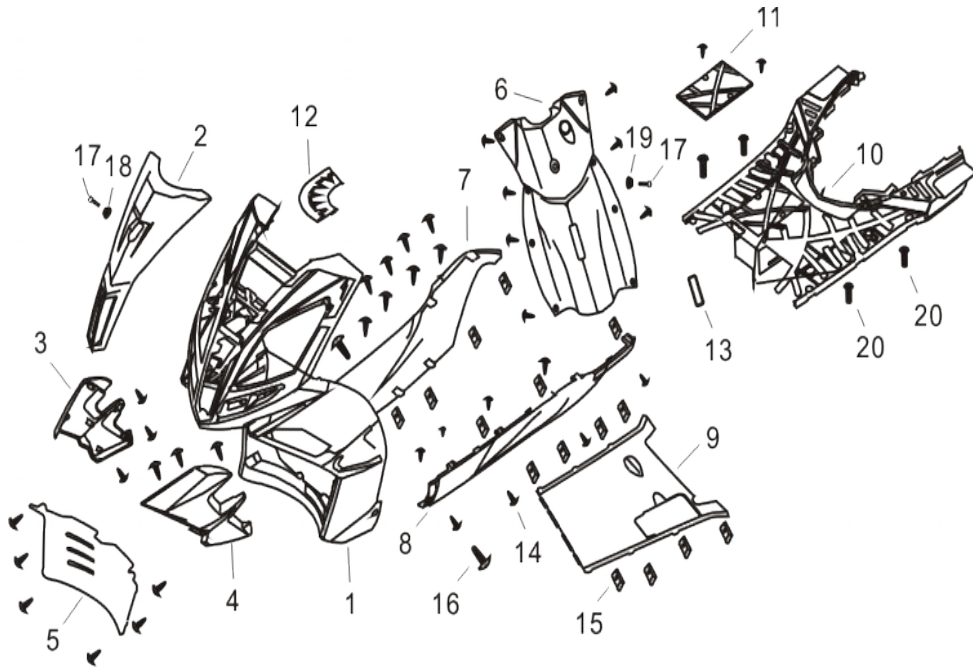
NO	REFERENCE	DESCRIPTION	PRIX
1	BL-1101	HANDLE BAR	45
2	BL-1102	BUSH,HANDLE BAR	
3	BL-1103	FLANGE BOLT M10*45	
4	BL-1104	FLANGE NUT M10*1.25	
5	BL-1105	L.GRIP,HANDLE	15
6	BL-1106	THROTTLE GRIP,HANDLE	15
7	BL-1107	THROTTLE BRACKET	25
8	BL-1108	THROTTLE CABLE	15
9	BL-1109	THROTTLE CABLE EFI	15
10	BL-1110	CROSS ROUNDHEAD SCREW M5*10	

## STAND ASSY



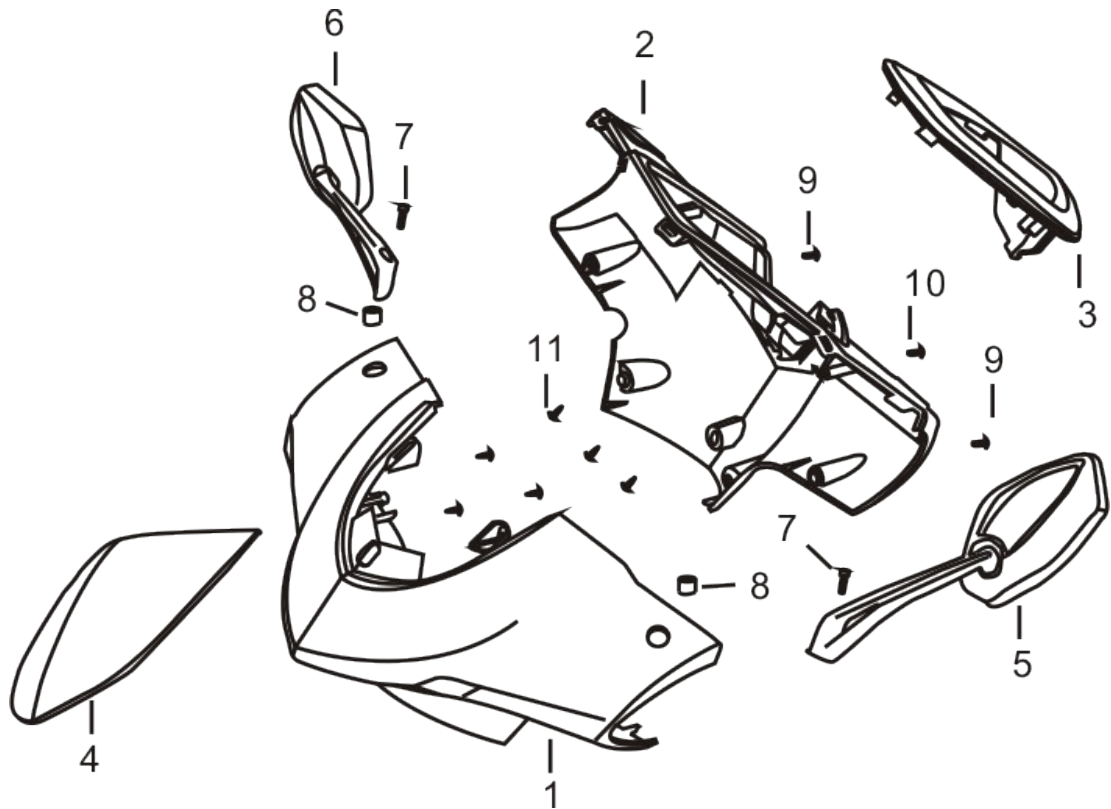
NO	REFERENCE	DESCRIPTION	PRIX
1	BL-1201	STAND ASSY MAIN	45
2	BL-1202	BAR SIDE STAND	35
3	BL-1203	ARM ASSY KICK STARTER	
4	BL-1204	SPRING OF MAIN STAND	
5	BL-1205	SPRING OF SIDE STAND	
6	BL-1206	RUBBER STOPPER MAIN	
7	BL-1207	FLANGE BOLT M10*25	
8	BL-1208	COLLAR MAIN STAND	
9	BL-1209	SCREW SIDE STAND PIVOT	
10	BL-1210	FLANGE BOLT M6*22	

## FRONT COVER



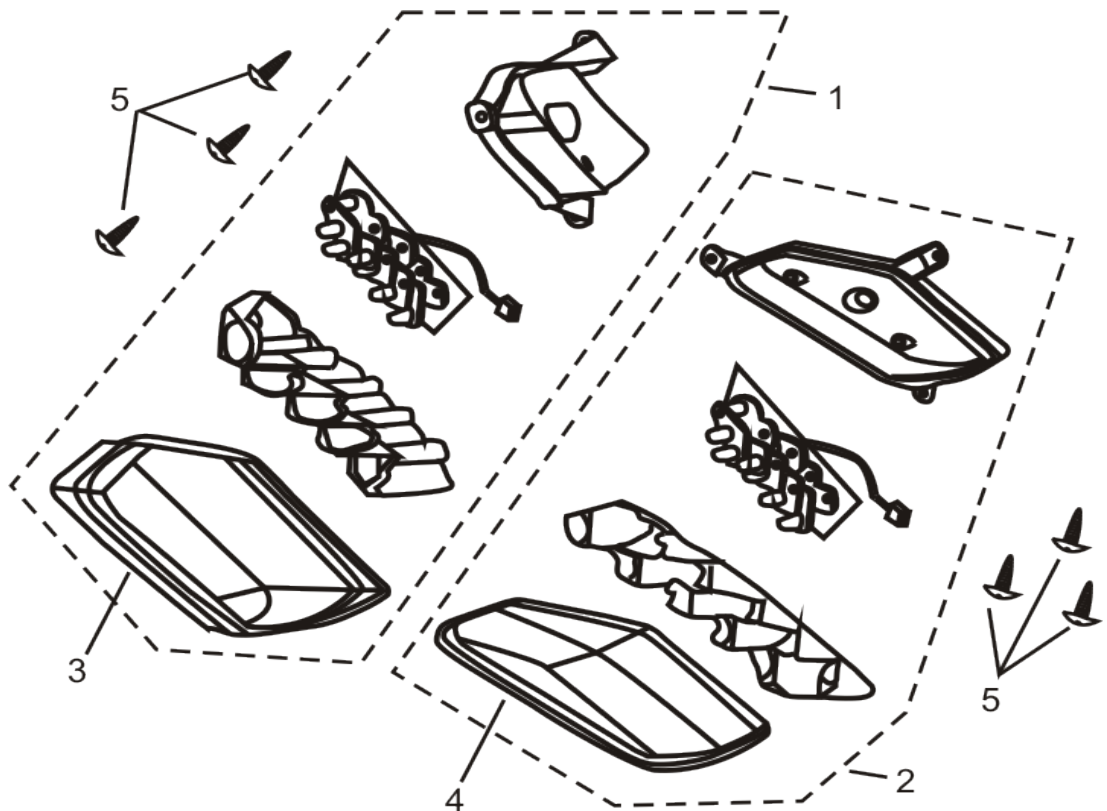
NO	REFERENCE	DESCRIPTION	PRIX
1	BL-1301	COVER FRONT	40
2	BL-1302	COVER ASSY FR GRILL	25
3	BL-1303	RIGHT DECORATED BOARD,COVER FRONT	35
4	BL-1304	LEFT DECORATED BOARD,COVER FRONT	35
5	BL-1305	FRONT FENDER INNER	35
6	BL-1306	LEG SHIELD	75
7	BL-1307	SKIRT R SIDE	45
8	BL-1308	SKIRT L SIDE	45
9	BL-1309	COVER UNDER	35
10	BL-1310	FLOOR PANEL	45
11	BL-1311	COVER BATTERY	15
12	BL-1312	LID COVER FR	15
13	BL-1313	LID LEG SHIELD	
14	BL-1314	TAPPING SCREW ST4.2*14	
15	BL-1315	NUT SPRING 4MM	
16	BL-1316	SCREW M6*14	
17	BL-1317	SOCKET HEAD SCREW M6*14	
18	BL-1318	WASHER	
19	BL-1319	WASHER	
20	BL-1320	FLANGE BOLT M6*16	

## HANDLE BAR PANEL



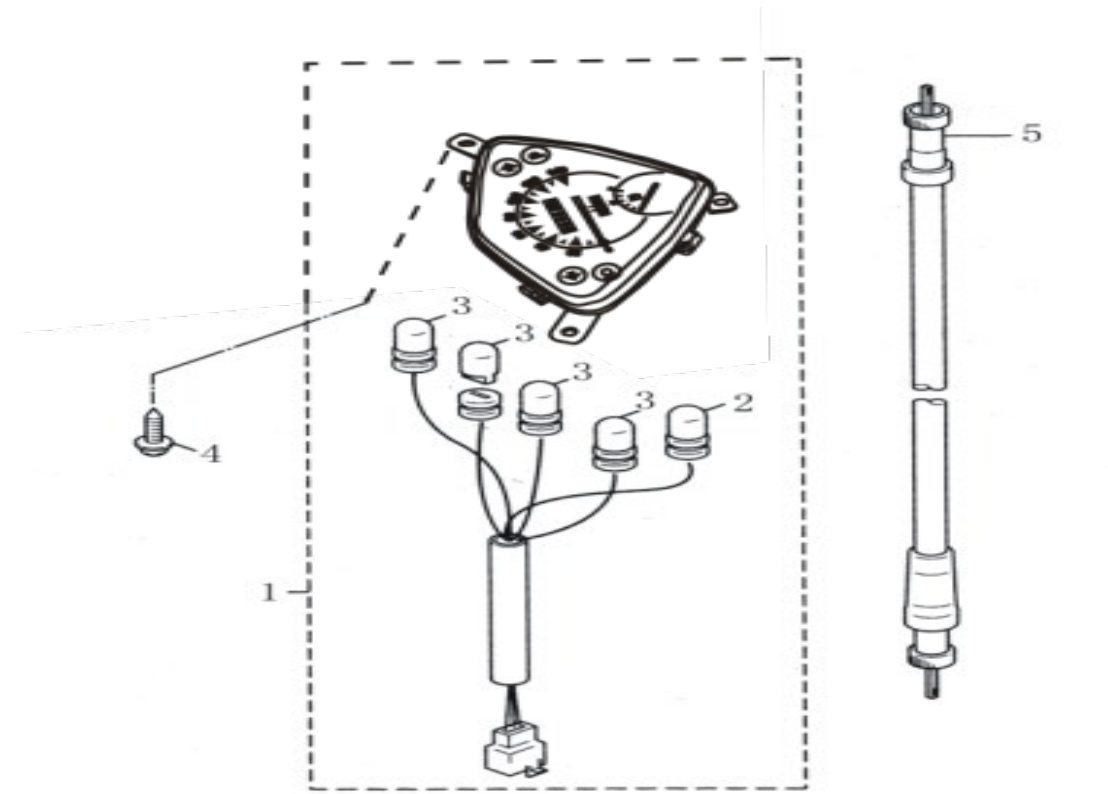
NO	REFERENCE	DESCRIPTION	PRIX
1	BL-1401	COVER FR HANDLE	45
2	BL-1402	COVER RR HANDLE A	35
3	BL-1403	COVER RR HANDLE B	25
4	BL-1404	DECORATED BOARD FR HANDLE	20
5	BL-1405	MIRROR ASSY L BACK	25
6	BL-1406	MIRROR ASSY R BACK	25
7	BL-1407	SOCKET HEAD SCREW M6*20	
8	BL-1408	COLLAR MIRROR ASSY	
9	BL-1409	SCREW M6*12	
10	BL-1410	SCREW M6*14	
11	BL-1411	TAPPING SCREW M4.2*14	

## TURNING LIGHT



NO	REFERENCE	DESCRIPTION	PRIX
1	BL-1501	R.FR.TURNING LIGHT ASSY	35
2	BL-1502	L.FR.TURNING LIGHT ASSY	35
3	BL-1503	LENS R.FR.TURNING LIGHT	20
4	BL-1504	LENS L.FR.TURNING LIGHT	20
5	BL-1505	TAPPING SCREW M4.8*16	

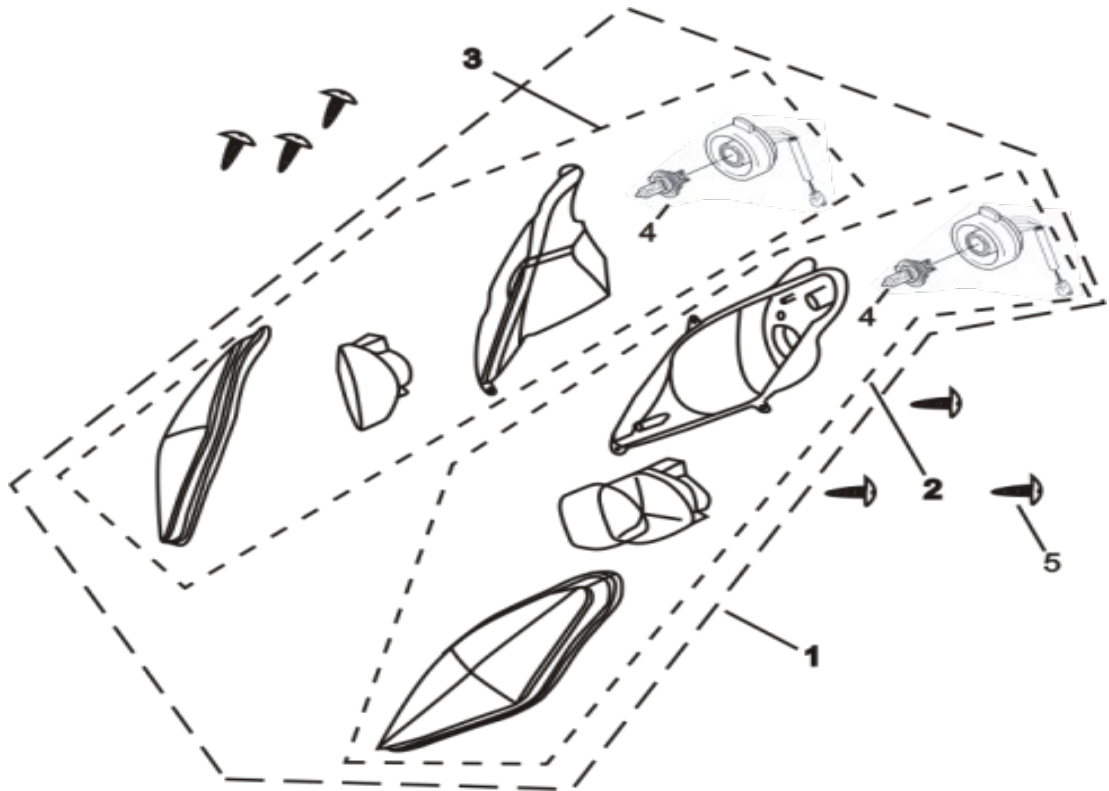
# SPEEDOMETER



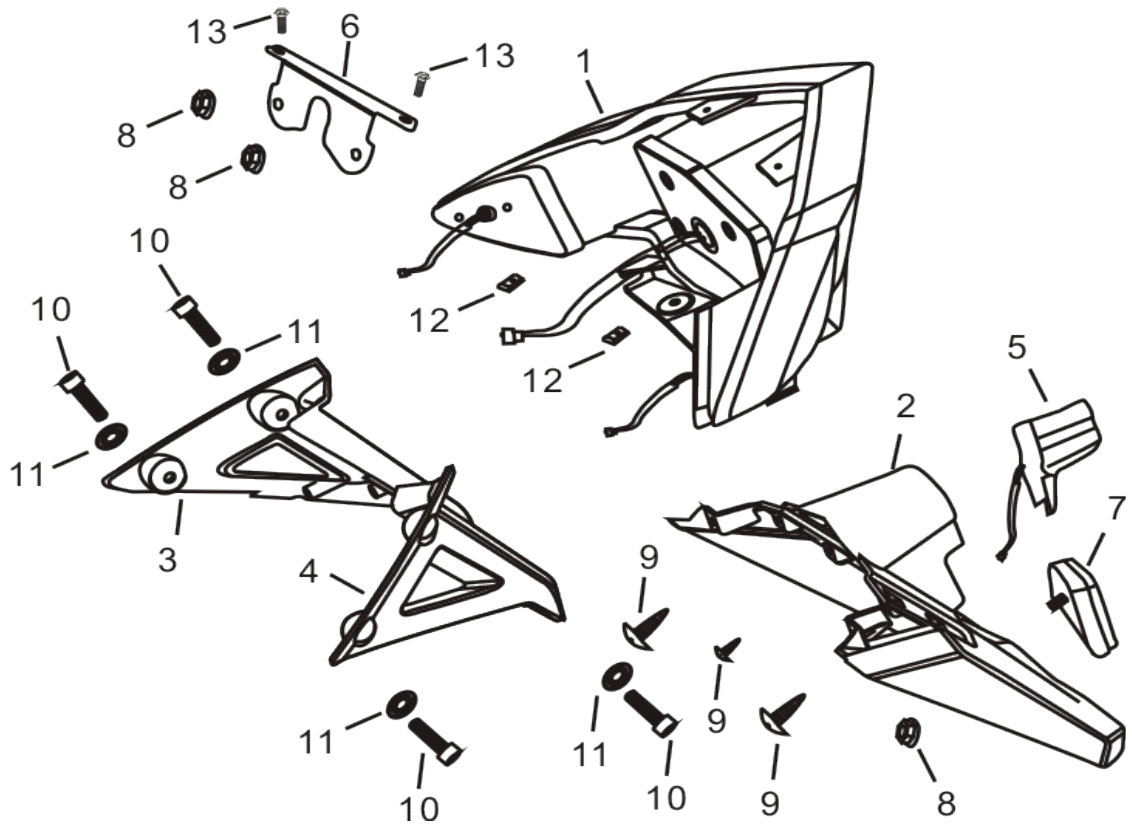
NO	REFERENCE	DESCRIPTION	PRIX
1	BL-1601	SPEEDOMETER ASSY.(OBD LIGHT)	70
2	BL-1602	SIGNAL INDICATOR LIGHT 12V,3.4W	
3	BL-1603	SIGNAL INDICATOR LIGHT 12V,1.7W	
4	BL-1604	TAPPING SCREW ST4.2*16	
5	BL-1605	MILEAGE CABLE	15



# HEADLIGHT

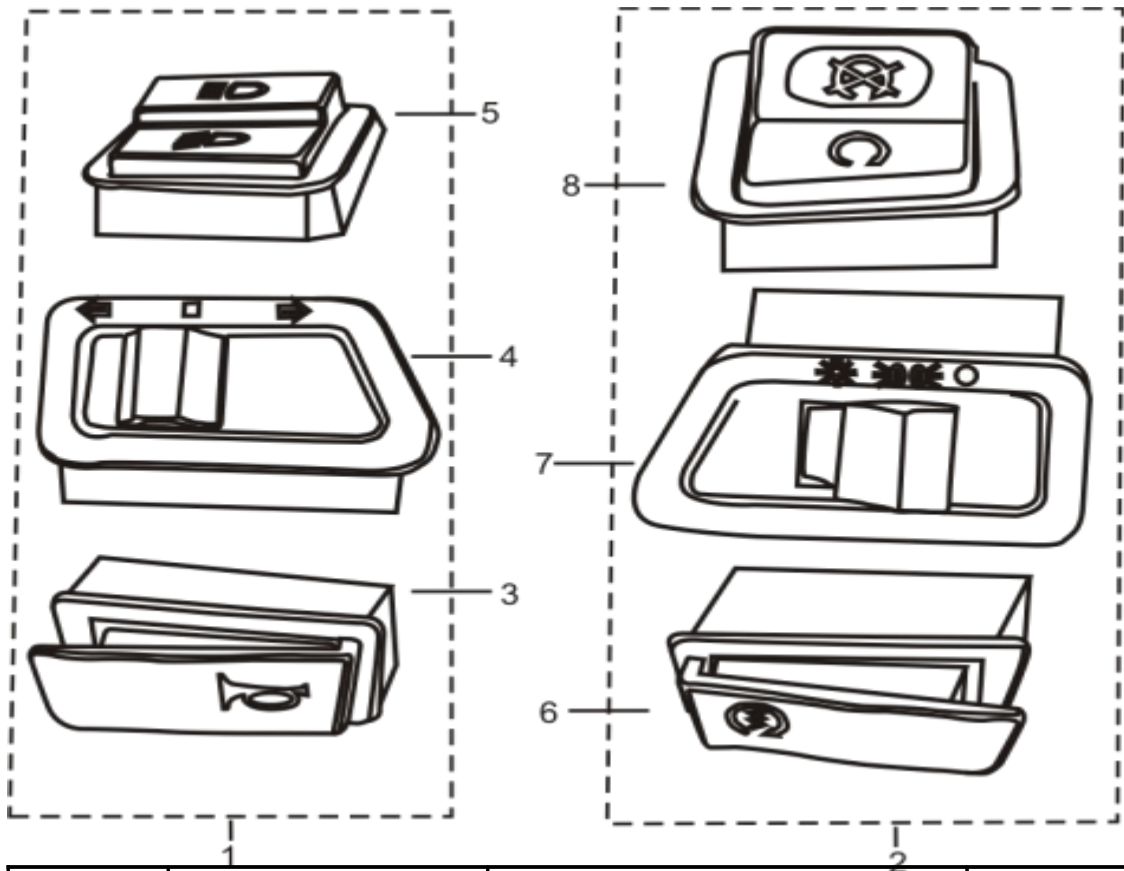


NO	REFERENCE	DESCRIPTION	PRIX
1	BL-1701	HEADLIGHT ASSY.(DOT)	
2	BL-1702	LEFT HEADLIGHT	35
3	BL-1703	RIGHT HEADLIGHT	35
4	BL-1704	BULB OF HEADLIGHT 12V 35/35W	5
5	BL-1705	TAPPING SCREW ST4.2*12	

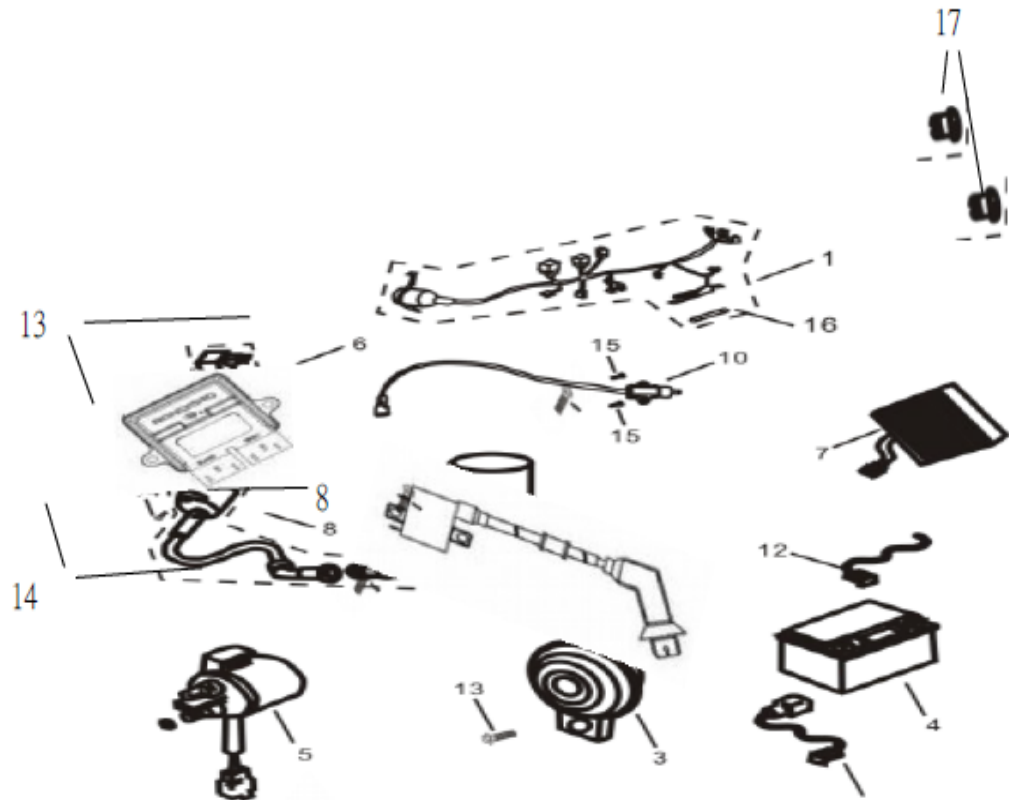


NO	REFERENCE	DESCRIPTION	PRIX
1	BL-1801	TAILLIGHT ASSY	65
2	BL-1802	REAR FENDER	40
3	BL-1803	R STAY RR FENDER	25
4	BL-1804	L STAY RR FENDER	25
5	BL-1805	LICENSE PLATE LAMP	15
6	BL-1806	BRACKET, TAILLIGHT	10
7	BL-1807	REAR REFLECTOR	10
8	BL-1808	FLANGE NUT M6	
9	BL-1809	TAPPING SCREW ST4.2*14	
10	BL-1810	SOCKET HEAD SCREW M6*20	
11	BL-1811	WASHER	
12	BL-1812	NUT SPRING M4	
13	BL-1813	FLANGE BOLT M6*12	

## HANDLE SWITCH



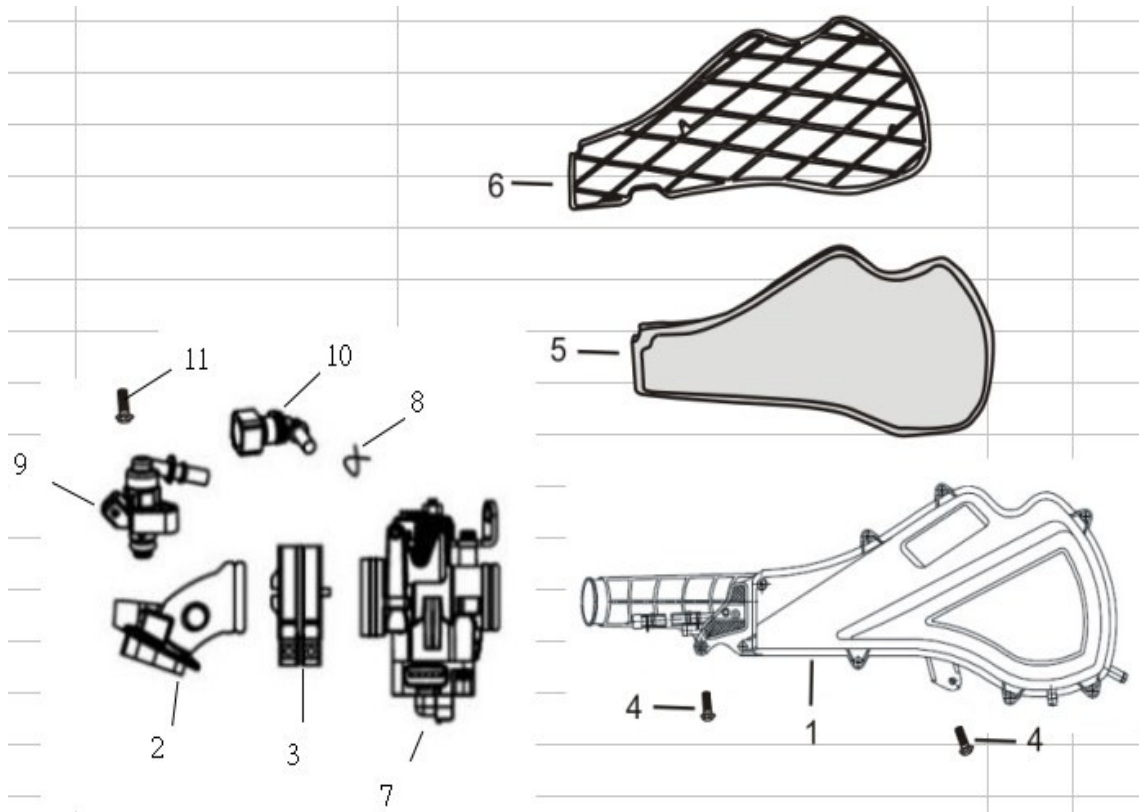
NO	REFERENCE	DESCRIPTION	PRIX
1	BL-1901	SWITCH,HANDLEBAR L.	10
2	BL-1902	SWITCH,HANDLEBAR R.	10
3	BL-1903	HORN SWITCH	10
4	BL-1904	TURN SIGNAL SWITCH	10
5	BL-1905	DIMMER SWITCH	10
6	BL-1906	START SWITCH	10
7	BL-1907	HEADLIGHT SWITCH COVER	10
8	BL-1908	ENGINE STOP SWITCH	10



## ELECTRICAL SYSTEM

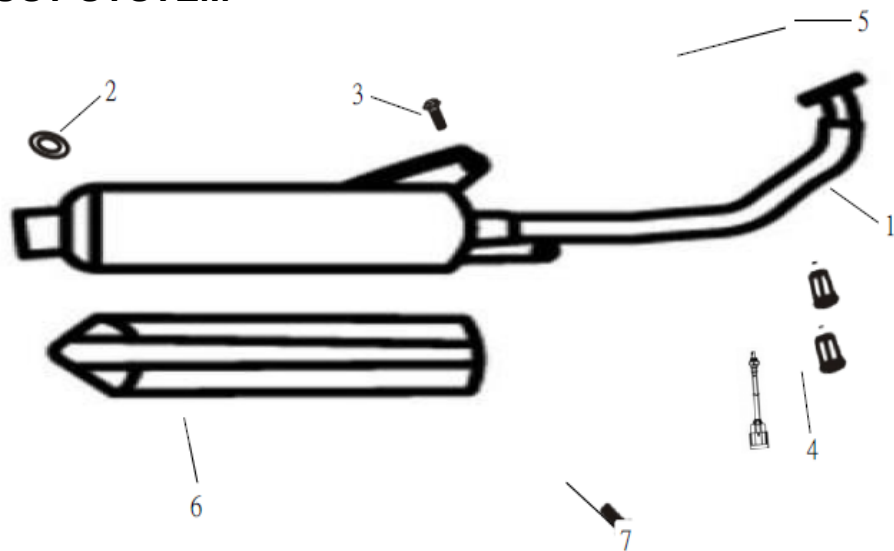
NO	REFERENCE	DESCRIPTION	PRI X
1	BL-2001	MAIN WIRE HARNESS	90
2	BL-2002	MAIN LOCK ASSY	60
3	BL-2003	HORN	25
4	BL-2004	BATTERY	39
5	BL-2005	START RELAY	25
6	BL-2006	ECU MARKS: MT5 JJ125T-13	110
7	BL-2007	RECTIFIER ( 18 COIL)	35
8	BL-2008	IGNITION COIL COMP.	35
9	BL-2009	FLASHER	25
10	BL-2010	KILL SWITCH EFI	
11	BL-2011	CATHODE LINE	
12	BL-2012	ANODE LINE	
13	BL-2013	FLANGE BOLT M6*12	
14	BL-2014	STEP BOLT M6*16	
15	BL-2015	SCREW M5*12	
16	BL-2016	FUSE	
17	BL-2017	RELAY EFI LIGHT	

## AIR FILTER



N O	REFERENCE	DESCRIPTION	PRIX
1	BL-2101	AIR FILTER EFI	50
2	BL-2102	AIR FILTER	35
3	BL-2103	INTAKE PIPE	20
4	BL-2104	CONTROLLER TO INCREASE AIR THICKNESS	
5	BL-2105	FLANGE BOLT M6*25	
6	BL-2106	ELEMENT,AIR FILTER	10
7	BL-2107	BRACKET,ELEMENT	65
8	BL-2108	TUBE MISSION BREATHER JJ125T-13 EFI	
9	BL-2109	CLAMP FUEL PIPE EFI	
10	BL-2110	fuel spray nozzle EFI	
11	BL-2111	Quick joint of tubing EFI	
12	BL-2112	FLANGE BOLT M6*30	

## EXHAUST SYSTEM



NO	REFERENCE	DESCRIPTION	PRIX
1	BL-2201	EXHAUST MUFFLER ASSY.(CATALYZER) EFI	140
2	BL-2202	GASKET OF EXHAUST PIPE	5
3	BL-2203	FLANGE BOLT M8*40	
4	BL-2204	FLANGE BOLT M8*50	
5	BL-2205	NUT M8,EXHAUST PIPE	
6	BL-2206	MUFFLER COVER	25
7	BL-2207	Oxygen sensor EFI	